



Installation & User Guide

Installer please leave this with homeowner



Countertop Assembly & Installation

Included Parts for Installation

Countertop

Self-tapping Screws: 6

Grill Gasket: 96" Roll

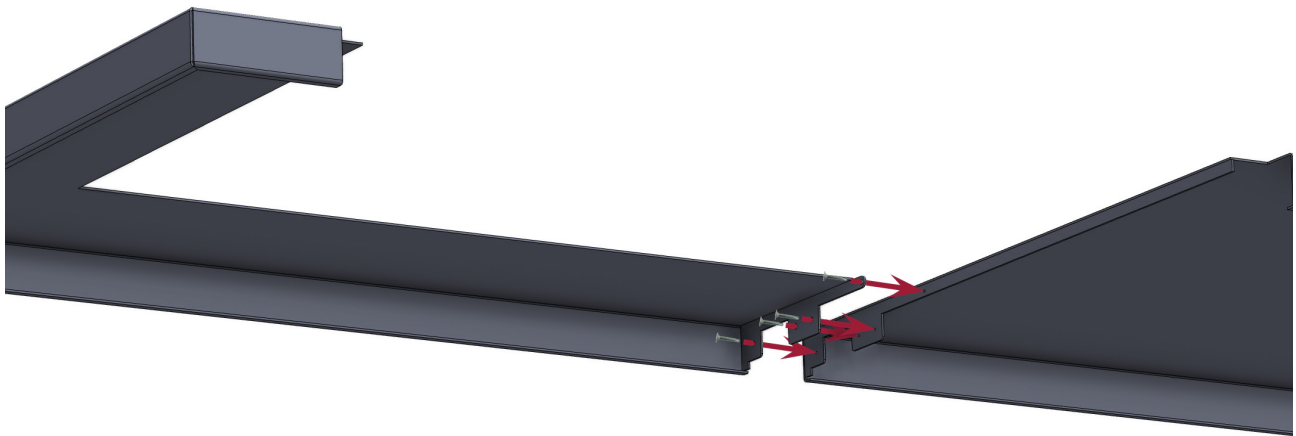


View an
installation video
on YouTube

Countertop Assembly

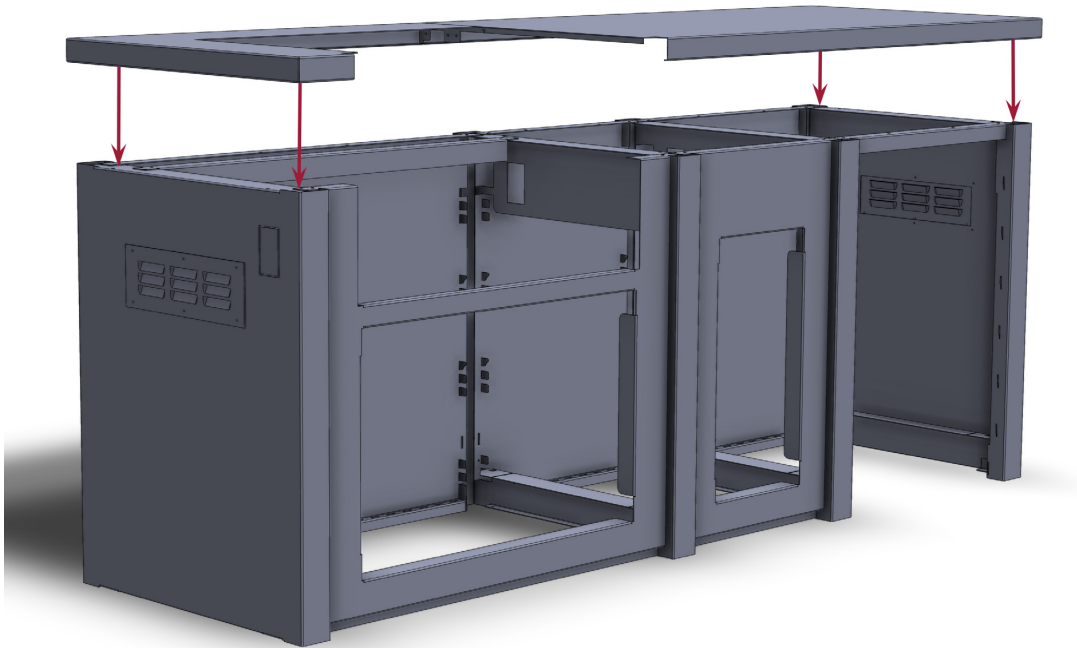
If your countertop is one piece and does not require assembly, skip this section and proceed to the next step (installation).

Lay both sections of the countertop upside down on a soft or smooth surface, ensuring there is no dirt or debris to prevent surface scratches. Line up the mounting tabs at the adjoining seam as shown in the image below. Install 4 of the provided self tapping screws through the pre-drilled mounting holes located in the mounting tabs. Always install the screws from the grill opening side of the countertop as shown.



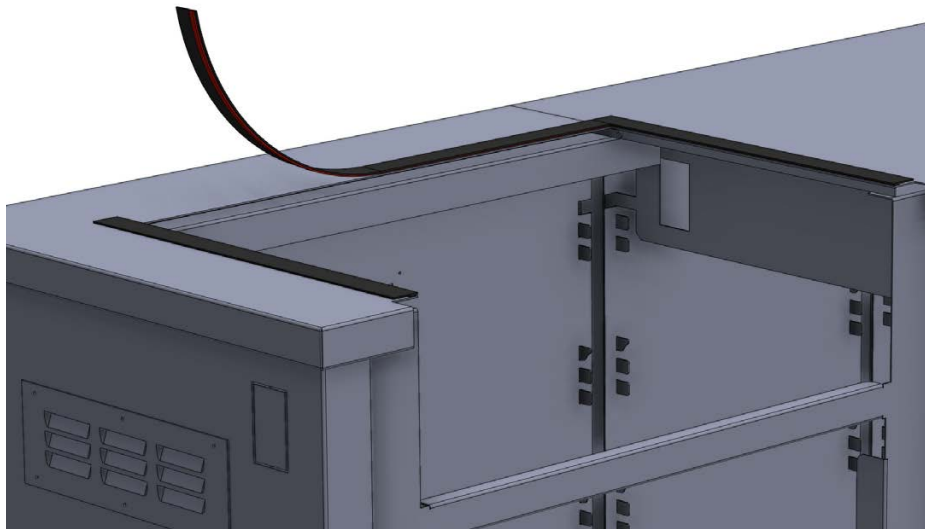
Countertop Installation

Turn the countertop upright while keeping it rigid and square to prevent damage. Install the countertop by setting it in place on top of your kitchen base. *Glue or silicone may be used to secure the countertop, but will make it very difficult to remove in the future to replace panels or disassemble the kitchen.*



Grill Installation

Cut the included grill gasket to length to fit around the perimeter of the grill cutout. Remove the red adhesive film, and install the gasket in place with the adhesive strip towards the grill cutout as shown below. Following any specific instruction provided by the manufacturer, install your Grill into the countertop. If desired, trim any excess grill gasket that is exposed around your grill.



Operation & Maintenance

To ensure a lifetime of use, and extend the longevity and beauty of your product, we recommend regular care and cleaning of your Outdoor Kitchen.

Routine cleaning can be accomplished by rinsing away dirt and debris, and then gently wiping with a damp, non-abrasive cloth or sponge using warm water. Towel drying will help prevent water spotting. If additional cleaning is necessary, mild household cleaners can be used. The use of solvents or abrasive cleaners may damage the product's finish, always test any cleaning solution in an inconspicuous area before applying to the entire product.

Storing objects on the surface for extended periods of time may trap moisture and debris, and dis-color or damage the finish.

Placing hot items directly on any surface of your outdoor kitchen may damage the finish. Hot ashes and exposure to ash debris over long periods of time may also cause damage.

Appliance and stainless steel cleaning solvents should never come in contact with your outdoor kitchen surface. Spray the solvent onto a cloth and wipe only on the appliance surface to help eliminate overspray.

Light or superficial scratches to the finish are likely to occur during normal use and do not affect the integrity of the product. Using your outdoor kitchen surfaces as a cutting board for food, or sliding items such as grilling tools, utensils, and abrasive or ceramic items across the surface may also cause wear and tear.

 **WARNING**

This product can expose you to chemicals including Carbon Black, which is known to the state of California to cause Cancer. For more information go to www.P65Warnings.ca.gov